

gemini
ITALY

3.5L Mini Electric Oven
3.5公升迷你電焗爐

Model No. 型號：GOV3WP
430W

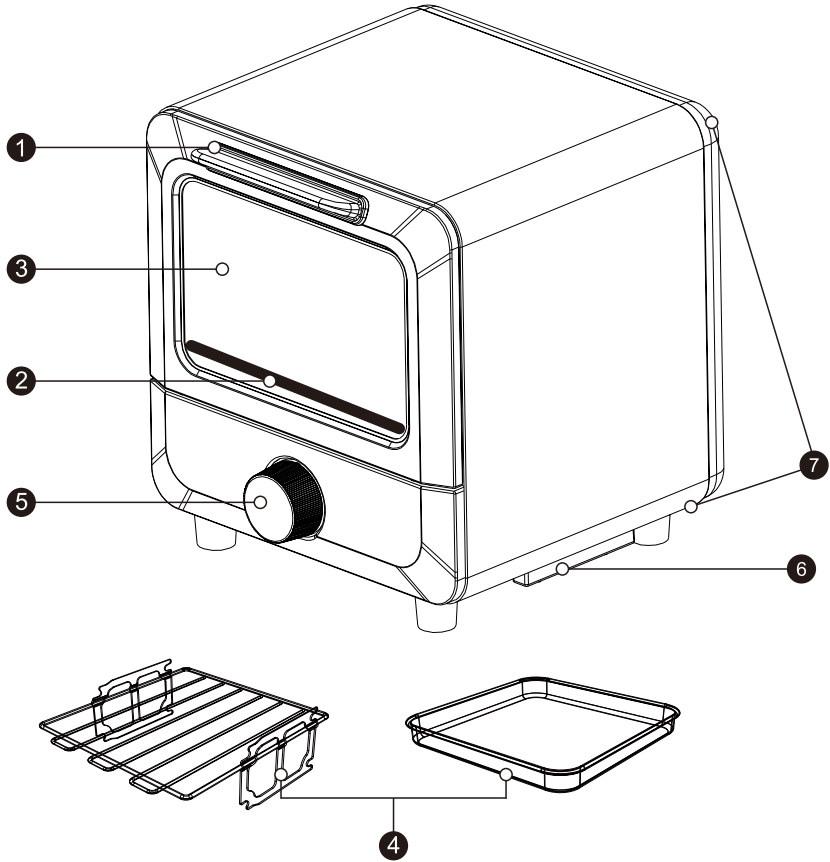
Important Safeguards

1. When using this steam electric oven, basic precaution should always be followed, included the followings.
2. Read all listed instructions.
3. Do not touch hot surface, use handle and knob.
4. Close supervision is necessary when any appliance is used by or near children.
5. To protect against electric shock, do not immerse cord, plug or any parts of the oven in water or other liquids.
6. Do not let cord hang over edge of table or counter, or touch hot surface.
7. Do not operate appliances with damaged cord or plug or after the appliance malfunctions, or have been damaged in any manner. Return the appliance to our after-sales service center of examination, repair, or adjustment.
8. The use of accessory attachments not recommended may cause hazard or injury.
9. Do not place on or near a hot gas or electric burner, or in a heated oven or in a microwave oven.
10. When operating the oven keep at least 0.1 metre of space on all sides of the oven to allow for adequate air circulation.
11. Unplug from outlet when not in use and before cleaning. Allow to cool before putting on or taking off parts, and before cleaning.
12. Always hold the plug when unplugging the cord. Never pull the core.
13. When the oven is on or hot, do not splash water onto the glass.
14. Do not touch any parts of the oven with metal foil.
15. Be extreme cautions when remove the tray or disposing of hot grease other hot liquid.
16. Do not use metal brushes when using the oven because it may be dangerous to come into contact with live parts.
17. Never leave the appliances unattended while broiling or toasting.
18. Oversized foods and metal utensils must not be inserted in the oven as they may create a fire or risk of electric shock.

Important Safeguards

19. A fire may cause if oven is covered or touching inflammable material, including curtains draperies, walls and like, when on operation, do not store any item on the oven during operation.
20. Do not place any of the following materials on or inside the oven: cardboard, plastic, paper or anything similar.
21. Do not store any materials, other than recommended accessories in the oven.
22. Always wear protective, insulated oven gloves when inserting or removing any items from the hot oven.
23. This appliance is for HOUSEHOLD USE ONLY, do not use outdoor.
24. Do not use appliance for other than intended use.
25. This appliance can be used by children aged from 8 years and above and persons with reduced physical, sensory or mental capabilities or lack of experience and knowledge if they have been given supervision or instruction concerning use of the appliance in a safe way and understand the hazards involved.
26. Children shall not play with the appliance. Cleaning and user maintenance shall not be made by children without supervised.
27. If the supply cord is damaged, it must be replaced by the After-sales Service Center or a similarly qualified person in order to avoid a hazard
28. Do not block off the ventilation hole to avoid the affection of normal of the oven.
29. Do not touch hot surfurces during use , most exterior and all the interior can become very hot after operate . Only use the produce 's handles or knobs to operate it . Only allow the oven to cool before cleaning any parts .

Product Descriptions



① Door handle

② Heating element

③ Glass door

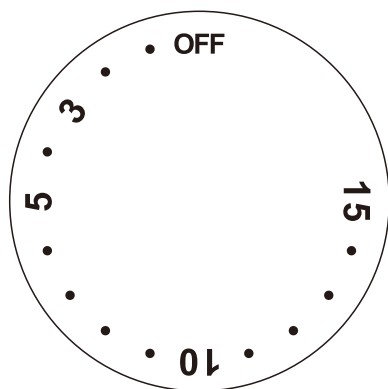
④ Bake tray/Grill rack

⑤ Timer knob

⑥ Crumb tray

⑦ Ventilation hole

Control Knob Description



How To Bake/Broil/Toast

1. Before first time use, rinse the accessories with clean water and let them dry completely.
2. Place the removable grill rack into the desired position.
3. Put the food on the middle of the grill rack or bake tray.
4. Turn the timer knob to the desired position, the oven is ready to work.
5. When the process is finished, the timer knob will back to "OFF" position, it will have a signal sound.
6. To prevent break the door of oven, remember to open and close the door gently.

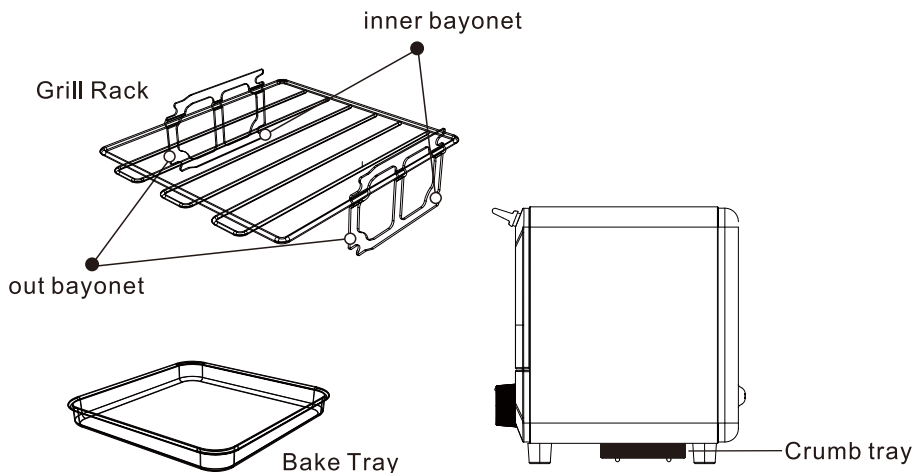
Operating instructions

Before using the oven for the first time:

1. Please turn the timer knob to 10 (timed 10 minutes) without putting any food in the oven. When the process is finished, the timer knob will back to "OFF" position, it will have a signal sound.

Note: the oven may emit smoke when first time using at the / under normal operation and it will soon disappear after 5-10 minutes.

Accessories Instruction



1. Grill rack installation: Hold both sides of the grill rack with fingers, and turn the bottom of two inner bayonets down slightly (as shown in the following Figure 1), to make the two inner bayonets lock the inner beam of the oven. Then press the grill rack, to make outer bayonets lock the outer beam, the grill rack has been installed. You can put the bake tray on the grill rack (as shown in the following Figure 2).

2. Grill rack removing: hold both sides of the grill rack with fingers, and lift the grill rack up gently (as shown in the following Figure 3), to make the outer bayonets separate from the outer beam, then you can take the grill rack out.

*Important : Please ensure the oven is fully cool down when installing and removing the grill rack.

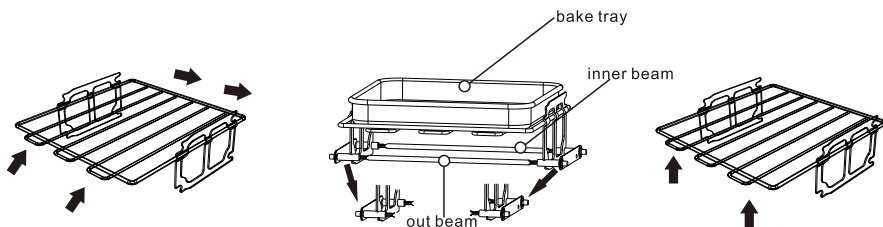


Figure 1

Figure 2

Figure 3

Cleaning Instruction

1. It is important that you clean the entire appliance after each use to prevent an accumulation of grease and avoid unpleasant odors.
2. Allow the appliance to cool and unplug from outlet before cleaning.
3. Do not immerse appliance in water or wash it under waterspout.
4. Removable grill rack, bake tray and crumb tray, can be washed, as normal cookware.
5. Clean outside of appliance and the shield of quartz tubes with a dry cloth.
6. Do not use abrasive cleaners or sharp utensils to clean the oven, as it will scratch oven body.
7. Let all parts and surface dry thoroughly prior to operating the oven.

Product Specifications

Model No.	GOV3WP
Capacity	3.5 L
Rated Voltage	220V~ 50-60Hz
Rated Power	430W
Timing	15 Minutes Max
Net Weight	1.67KG
Product Size(W x H x D)	185x195x175mm
Accessories	Bake Tray, Grill rack each

* The final product specification may be varied according to a different lot of material and actual input voltage power of the usage area.

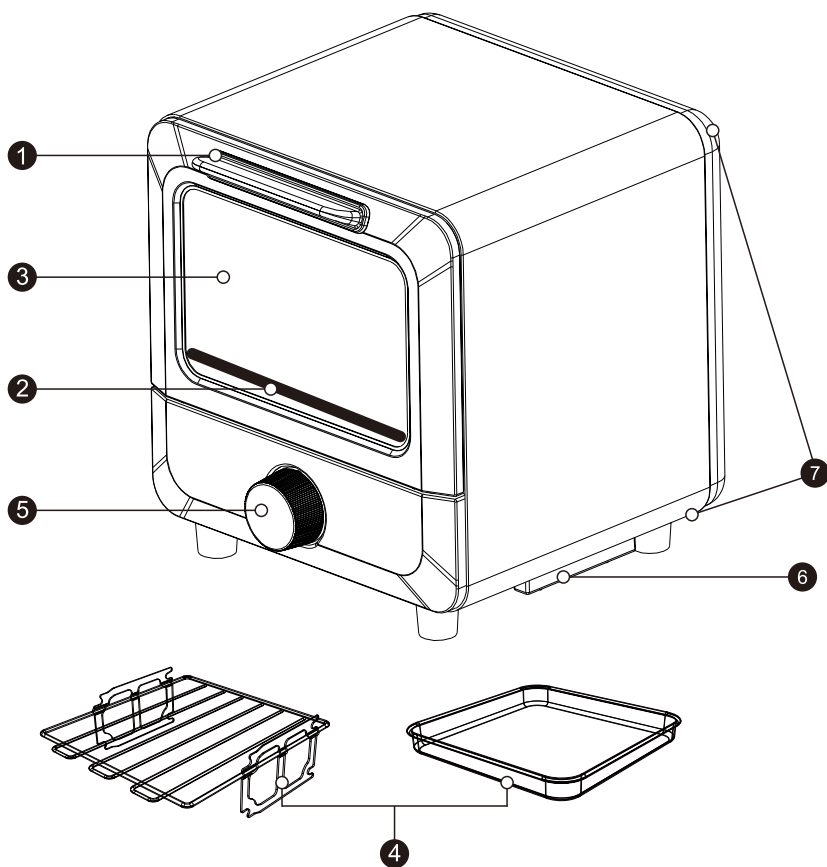
安全注意事項

1. 在使用本產品前，請遵循以下基本安全措施。
2. 仔細閱讀本使用說明書。
3. 不要接觸焗爐發熱的表面，使用爐門手柄和旋鈕。
4. 當小孩子操作或接近焗爐時，成人要密切注意，及監管使用過程。
5. 為防止觸電，嚴禁將電源線、插頭或電焗爐的任何部件（包括配件）浸入水中。
6. 不要讓電源線懸掛在桌子或櫃檯邊緣或接觸發熱表面。
7. 電源線、插頭、焗爐內部零件損壞或電器設備出現故障的情況下，
為避免危險切勿操作電器，請聯繫本司售後服務部進行更換檢查。
8. 不要使用非本機配件，以免發生危險及造成傷害。
9. 不要將焗爐放在靠近熱水器，電爐或微波爐等熱源的地方。
10. 在使用焗爐時，要保證焗爐每一邊至少有 0.1 米的空間，使空氣流通。
11. 當不使用焗爐或清潔時，請先拔掉電源線插頭，要先冷卻才能進行拆卸配件。
12. 拔下電源插頭時，請務必抓住插頭，不要拉扯電源線。
13. 當使用焗爐時，不能往玻璃上潑水以免玻璃破裂。
14. 不要用金屬箔去接觸焗爐的任何部件。

安全注意事項

15. 移動烤盤或處置熱油脂或其他高溫液體時要格外小心。
16. 焗爐在使用時，不要使用帶金屬的刷子去清潔，因可能與帶電部件接觸，造成危險。
17. 當焗爐在使用時，請務必有人看管。
18. 體積較大的食物或玻璃，塑膠類的器皿切勿放入焗爐內烘烤，以免危險。
19. 焗爐頂部不得盛放任何物品或覆蓋易燃物品（如窗簾，牆紙等），容易釀成火災。
20. 請勿將紙板，塑膠，紙等類似易燃物品放在焗爐內加熱。
21. 不要將非本機的配件放入焗爐內。
22. 從焗爐內插入或取出物品時，一定要帶上耐高溫隔熱手套。
23. 本產品只可作家庭用途，不能放置戶外使用。
24. 不可讓本產品作非指定用途使用。
25. 該電器可適用於 8 歲以上的兒童以及身體，感官或者智力能力下降和缺乏經驗和知識的人群，當他們使用該電器需要得到安全使用電器的監督或者指導，並且瞭解所涉及的危險。
26. 成人應該指導小孩不可把玩此電器。小孩子進行清潔和維修必須要有成人監督。
27. 定期檢查本產品的電源線。如果電源線損壞，必須由本公司售後服務部或合格的電器技師更換，以避免危險。
28. 不要堵住散熱風孔，以免影響焗爐正常工作。
29. 切勿碰觸發熱表面。焗爐的門、外部零件和所有內部在使用時會變得極熱。應該使用產品的把手或旋鈕去操作焗爐。待焗爐冷卻後，方可清潔。

產品說明



(以上產品圖片僅供參考，請以實物為準。)

① 爐門手柄

② 石英管

③ 玻璃門

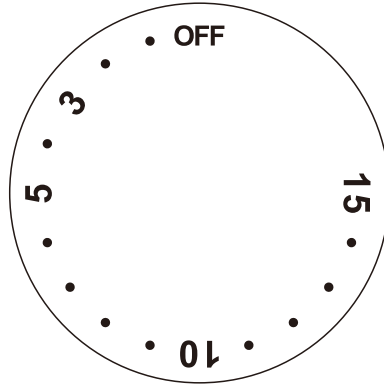
④ 烤盤/烤架

⑤ 計時控制旋鈕

⑥ 抽燙式碎屑盤

⑦ 散熱風孔

控制旋鈕說明



如何烘/煮/烤

1. 第一次使用前，用清水沖洗附送配件，讓它們完全風乾
2. 將可移動的烤網放到所需的爐內。
3. 把食物放在烤網或烤盤的中間位置。
4. 把計時控制旋鈕旋至所需的時間位置，焗爐開始工作。
5. 當烘烤結束時，計時器旋鈕將會自動回到“OFF”的位置，並發出提示音“叮~”一聲代表操作完成。
6. 必須記住打開及關門時要輕力一些，避免破壞爐門。

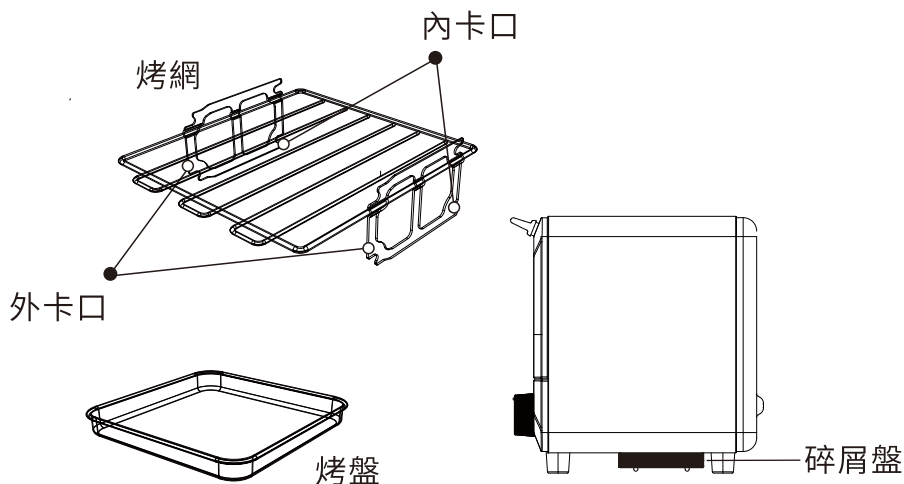
操作指引

首次使用焗爐之前：

- 1、請讓焗爐於沒有放入食物的情況下空燒開啓一次：旋鈕計時器旋至“10”（定時10分鐘），時間倒計時完成後會發出提示音“叮一聲~”。

注：空燒5-10分鐘的過程內會出現少許白煙，此為正常現象。

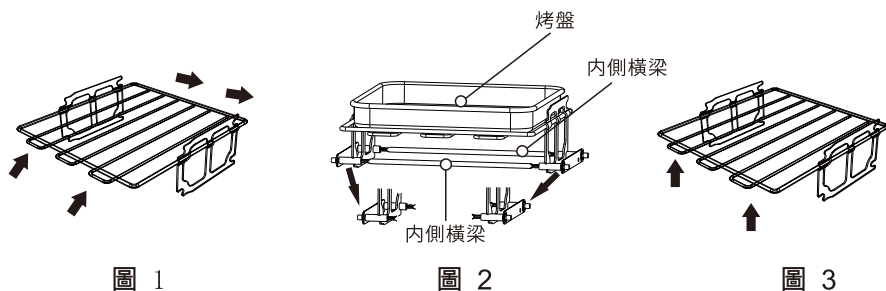
配件使用說明



1. 安裝烤網：雙手握住烤網兩端，把下面的兩個內卡口微微朝下（如下圖1），使兩個內卡口卡住焗爐內側橫樑，之後按壓，是外卡口卡住外側橫樑，烤網安裝就完成了。烤盤可放於烤網上方（如下圖2）。

2. 拆除烤網：雙手握住烤網兩端，輕輕把烤網往上提起（如下圖3），是外卡口與外側橫樑分開，之後把烤網往外拿出即可。

注意：必需待焗爐溫度放涼後，才可安裝及拆除烤網。



清潔說明

1. 每次使用後清潔焗爐是很重要的，以防油脂積累和避免難聞的氣味。
2. 清潔前要拔掉插座，讓焗爐內部散熱。
3. 不能把本電器浸入水中或在水中清潔。
4. 可拆卸烤網、烤盤及碎屑盤，跟廚房用具一樣清洗。
5. 用乾布清潔焗爐的外部 and 石英管護網。
6. 不能使用清潔劑或鋒利的器皿清潔。
7. 使用焗爐前讓焗爐內部和外部完全乾透。

產品規格

型號	GOV3WP
容量	3.5 公升
電壓	220 伏特 ~50-60 赫茲
瓦數	430瓦
計時	15分鐘(最長)
淨重	1.67公斤
產品尺寸(闊 x 高 x 深)	185x195x175毫米
配件	烤盤及烤網各一件

*相關產品的規格，可能會因配件批次或實際使用地區的電壓差異而有所不同。

請記錄下列產品資料

- 型號

- 機身編號

- 經銷商名稱

- 購買日期

本產品不斷改進中，如功能有所更改，恕不另行通知，如有疑問，請與客戶服務中心聯絡，不便之處，敬請原諒。

說明書內容以英文版本為準

ToolBox Customer Service Centre 客戶服務中心：

**4/F, DCH Building, 20 Kai Cheung Road, Kowloon Bay, Hong Kong
香港九龍灣啟啓祥道20號大昌行集團大廈4樓**

Customer Service Hotline 客戶服務熱線：(852) 8210 8210

Service E-mail 電郵地址：8210service@gilman-group.com

Please register now at 請即上網登記：www.toolbox.hk

Website 網址：www.gilman-group.com

Proudly Serviced by:



太平家庭電器